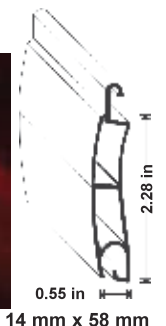


STORMStyleSecure



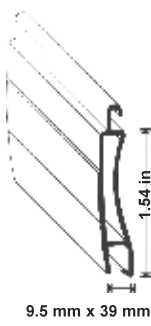
**AL-E60**

AL-E60  
Total Height 2.84" [72mm]  
Profile Height 2.28" [58mm]  
Width .55" [14mm]  
Wall Gauge 0.06" [1.53mm]



**AL-E40**

AL-E40  
Total Height 1.98" [50.3mm]  
Profile Height 1.57" [40mm]  
Width 0.34" [9.5mm]  
Wall Gauge .055" [1.43mm]



## KEY BENEFITS

- Advanced Security
- Noise Reduction
- Energy Saving
- Extruded Strength
- Building Security

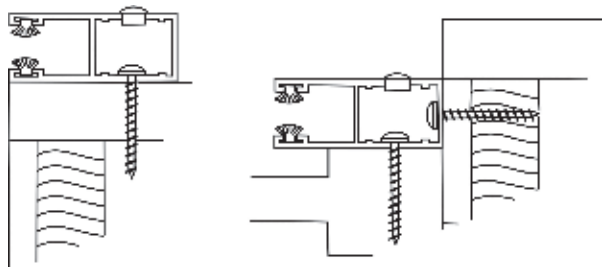
Silk White
Texas Cream
Attica Beige
Medium Bronze
Anodized Silver



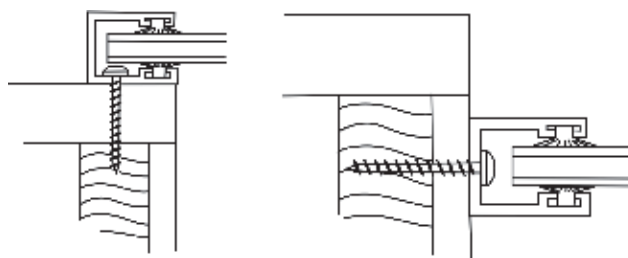
SYSTEM INFO							
SLAT	RAILS	MAX SQ. FT.	WEIGHT				
AL E60	2.5" maxi	195	2.139 lbs. / sqft.				
CURTAIN HEIGHT BY HOUSING SIZE							
SLAT	6"	6.5"	7"	8"	9"	10"	12"
AL E60	N/A"	N/A"	24"	40"	58"	80"	126"

SYSTEM INFO							
SLAT	RAILS	MAX SQ. FT.	WEIGHT				
AL E40	2.125" mini	105	2.088 lbs. / sqft.				
CURTAIN HEIGHT BY HOUSING SIZE							
SLAT	6"	6.5"	7"	8"	9"	10"	12"
AL E40	28"	41"	55"	77"	99"	123"	198"

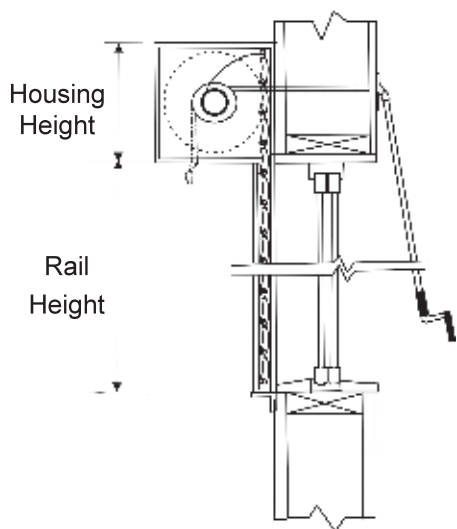
OPERATION	Hand Crank   Pull Strap   Crank Handle   Wall Switch   Key Switch   Remote Control
-----------	--



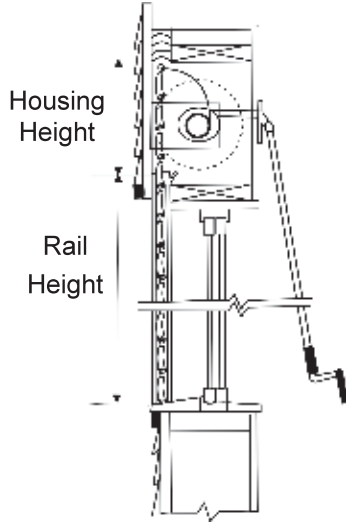
Typical Jamb Details of "A" Type Rails



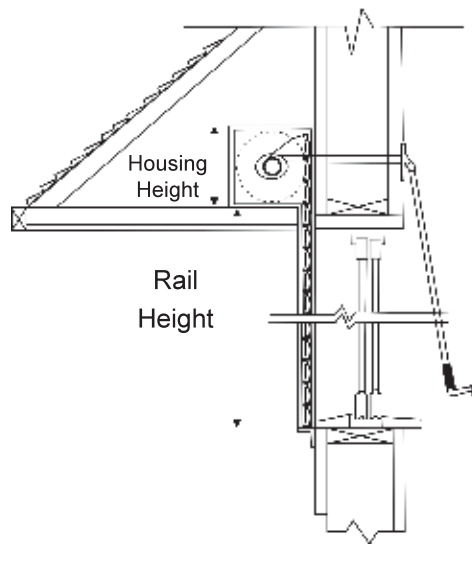
Typical Jamb Details of "U" Type Rails



Retrofit Modular System



Standard Concealed System



Soffit Concealed Modular or Bracket System