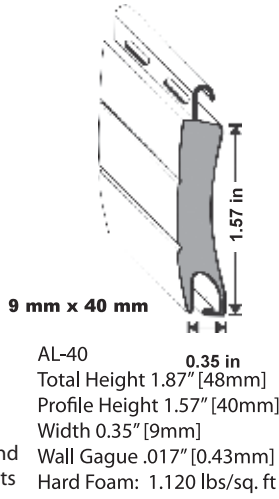


HOMEStyleSecure



AL-40

Available with and without light slits

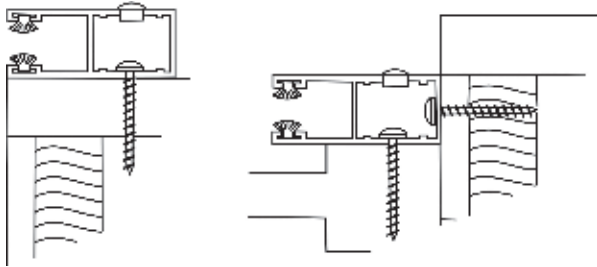
KEY BENEFITS

- Advanced Security
- Noise Reduction
- Energy Saving
- Environment Safe
- Comfort and Privacy
- High Density Foam Slat

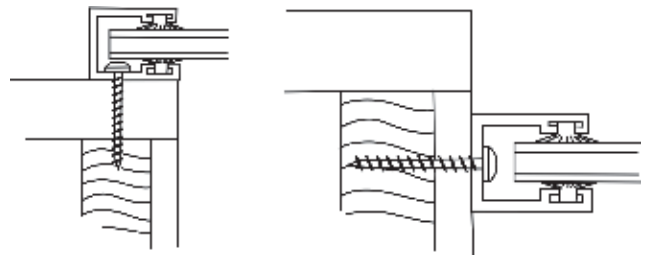
Silk White
Smoky Grey
Texas Cream
Attica Beige
Medium Bronze
Cream / Lt. Ivory
Arcona Beige
Maroon Brown
Metallic



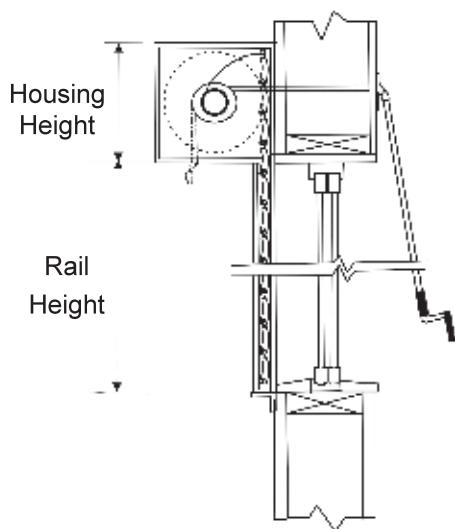
SYSTEM INFO							
SLAT	RAILS	MAX SQ. FT			WEIGHT		
AL 40	2.125" mini	81			0.875 lbs. / sqft.		
CURTAIN HEIGHT BY HOUSING SIZE							
SLAT	6"	6.5"	7"	8"	9"	10"	12"
AL 40	40"	55"	64"	96"	120"	169"	241"
OPERATION		Hand Crank Pull Strap Crank Handle Wall Switch Key Switch Remote Control					



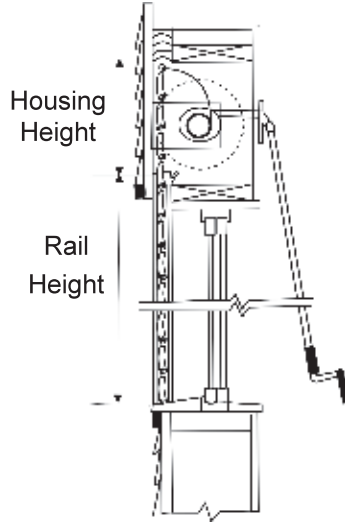
Typical Jamb Details of "A" Type Rails



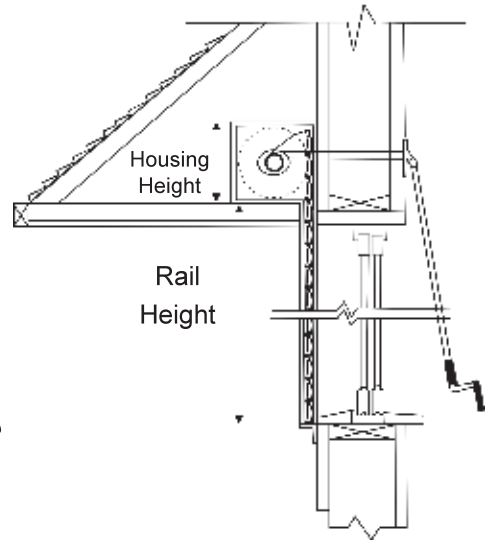
Typical Jamb Details of "U" Type Rails



Retrofit Modular System



Standard Concealed System



Soffit Concealed Modular or Bracket System